



PRESENTS

# 4000LB

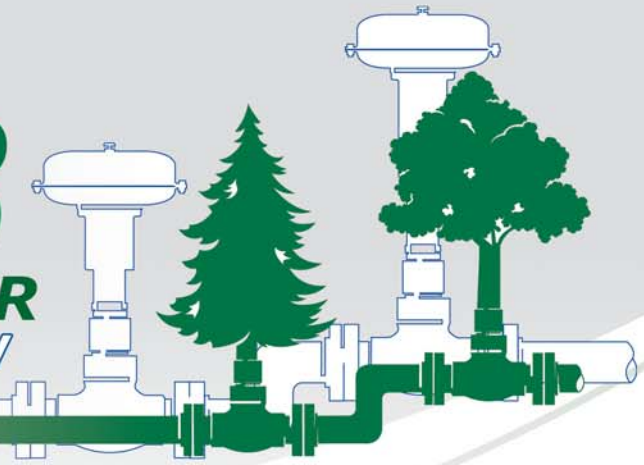
**PRESSURE CONTROLLER**  
PERFORMANCE REVIEW



# 4000LB

## PRESSURE CONTROLLER

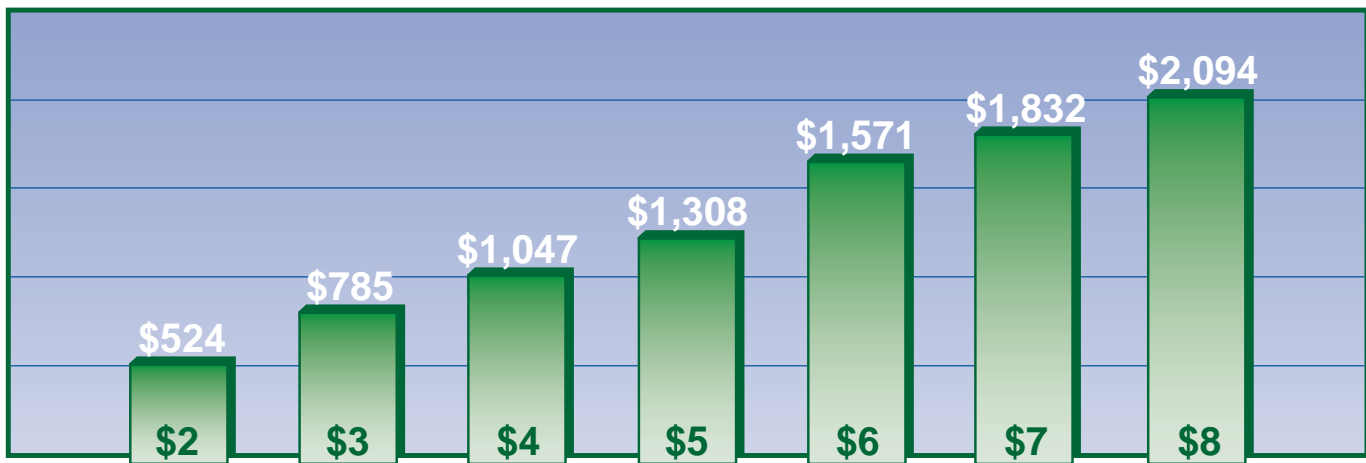
### PERFORMANCE REVIEW



**The 4000LB Pressure Controllers will pay for themselves after 1 year of use.**

The Dyna-Flo 4000 Low Bleed controller (Patent Pending) is specially designed to reduce supply air/gas consumption. Significant reductions in the steady state bleed rates reduce emissions on fuel gas supply applications as well as instrument air consumption on plant applications. The result is a lower operating cost and less environmental impact.

### ANNUAL SAVINGS USING A DYNA-FLO 4000LB



PRICE OF NATURAL GAS \$ / GIGAJOULE (GJ) [1 GJ = 932 scf]

### CALCULATED SAVINGS AND GAS CONSUMPTION AT \$5 / GIGAJOULE (GJ) OF NATURAL GAS

| CONTROLLER MODEL            | AVERAGE CONSUMPTION (scfh) |             | TOTAL COST PER YEAR (NATURAL GAS) |
|-----------------------------|----------------------------|-------------|-----------------------------------|
|                             | AIR                        | NATURAL GAS |                                   |
| TRADITIONAL CONTROLLER 4000 | 25                         | 32          | \$1,464                           |
| LOW BLEED CONTROLLER 4000LB | 2.6                        | 3.4         | \$156                             |
| <b>SAVINGS PER YEAR</b>     |                            |             | <b>\$1,308</b>                    |

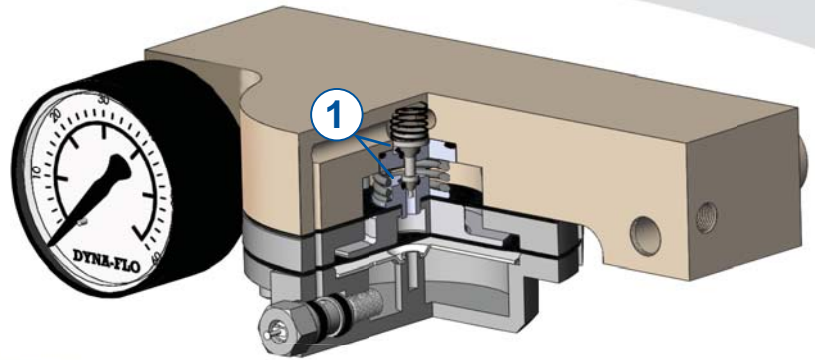
**NATURAL GAS REDUCTION PER YEAR**

**250,536 ft<sup>3</sup>**

# FEATURES

1

Soft seated relay guarantees zero leakage during steady state.



2

Die cast aluminum case and cover.

3

Standard powder coated casing, stainless steel external fasteners and stainless steel tubing.

4

Stainless steel parts are available for sour instrument gas applications.

5

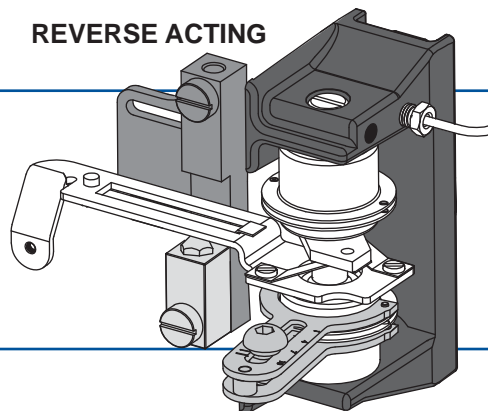
Bourdon tubes are available in 316 SST as standard, and an optional K-Monel for NACE.

Available in two modes: proportional (P) only, proportional plus reset (PI).

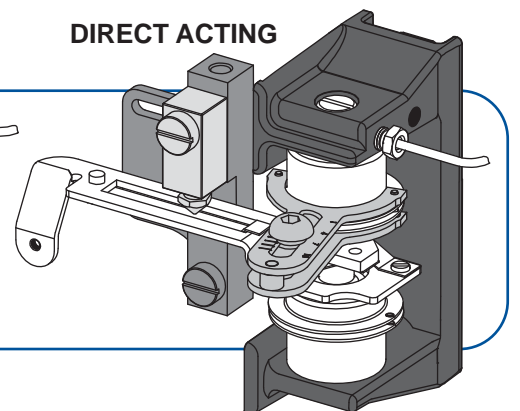
6

Control action is field reversible between direct acting and reverse acting without additional parts. (Patent Pending)

REVERSE ACTING



DIRECT ACTING





# ENVIRO LINES

| Standard Product                           | Low Bleed Product  | Consumption Rates (scfh)<br>Standard vs Low Bleed |      |             |      | Total Cost Per Year<br>(Natural Gas at \$5/GJ)<br>Standard vs Low Bleed |           | Natural Gas Savings Per Year | Natural Gas Reduction (ft <sup>3</sup> ) |
|--|--|---|------|-------------|------|---|-----------|------------------------------|--|
|  |  | Air   |      | Natural Gas |      | Standard  | Low Bleed |                              |  |
| 546 I/P Transducer                         | Bel-Gas T2000 I/P Transducer<br>              | 30  | 4    | 39          | 5.2  | \$1,785   | \$238     | \$1,547                      | 296,088                                  |
| Competitor Airset Regulator                | Bel-Gas P50 Airset Regulator<br>              | 0.5   | 0.10 | 0.6         | 0.13 | \$28  | \$6       | \$22                         | 4,117                                    |
| DVC6000 Valve Positioner                   | Siemens PS2 Valve Positioner<br>            | 14  | 0.12 | 18          | 0.16 | \$824   | \$7       | \$817                        | 156,278                                  |
| 3582 Valve Positioner & 546 I/P Transducer | Siemens 760 Positioner & I/P Transducer<br> | 48  | 45   | 62          | 59   | \$2,837   | \$2,700   | \$137                        | 26,280                                   |

## Dyna-Flo Control Valve Services Ltd.

### Edmonton Sales Office

1911 - 66 Avenue  
Edmonton, Alberta, Canada  
T6P 1M5

Phone: (780) 469-4000  
General Fax: (780) 469-3149  
Sales Fax: (780) 469-4035

### Calgary Sales Office

#225, 404 - 6th Avenue SW,  
Calgary, Alberta, Canada  
T2P 0R9

Phone: (403) 668-5558  
Fax: (403) 269-2287

## Dyna-Flo Control Inc.

2007A Preston Avenue  
Pasadena, Texas, U.S.A.  
77503

Phone: (713) 477-7466  
General Fax: (713) 477-7467

**Toll Free: 1-866-396-2356**

**or visit**

**[www.dynaflo.com](http://www.dynaflo.com)**